

ARTCOOL



* ARTCOOL models may contain preliminary data



• Single Combination

UNIT		9K		12K	
INDOOR		AM09BP.NSJ		AM12BP.NSJ	
Capacity	Cooling	Min/Rated/Max	W	890/2500/3700	890/3500/4040
	Heating +7°C	Min/Rated/Max	W	890/3200/4100	890/3900/5100
Power Input	Heating +7°C	Rated	W	3000	3600
	Cooling	Rated	W	1080	1080
EER	Heating +7°C	Rated	W/W	840	1000
	Cooling	Rated	W/W	3.73	3.24
S.E.E.R.	Heating +7°C	Rated	W/W	6.5	6.4
	Cooling	Rated	W/W	2.5	2.5
P-Design C	Heating +7°C	Rated	W/W	3.81	3.80
	Cooling	Rated	W/W	4.0	4.0
COP	Heating +7°C	Rated	W/W	2.4	2.5
	Cooling	Rated	W/W	A++	A++
S.C.O.P.	Heating +7°C	Rated	W/W	A+	A+
	Cooling	Rated	W/W	134	191
Annual Energy Consumption	Heating +7°C	Rated	kWh	840	875
	Cooling	Rated	kWh	19	19
Sound Pressure	Cooling	Sleep	dB(A)	27	27
		Low	dB(A)	27	27
		Medium	dB(A)	35	35
	Heating	High	dB(A)	41	41
		Low	dB(A)	27	27
		Medium	dB(A)	35	35
Sound Power	Cooling	High	dB(A)	41	41
		Low	dB(A)	27	27
		Medium	dB(A)	35	35
	Heating	High	dB(A)	59	59
		Low	dB(A)	3.0	3.0
		Medium	dB(A)	4.2	4.2
Air Flow Rate	Cooling	High	m ³ /min	7.5	7.5
		Low	m ³ /min	10.0	10.0
		Medium	m ³ /min	11.5	11.5
	Heating	Low (Power)	m ³ /min	5.6	5.6
		Medium	m ³ /min	7.2	7.2
		High	m ³ /min	10.0	10.0
Dehumidification Rate	Cooling	Rated	l/h	1.1	1.1
	Running Current	Rated	A	3.0	4.7
Starting Current	Max	Rated	A	6.0	6.0
	Max	Rated	A	3.7	4.5
Power Supply	Max	Rated	A	7.0	7.0
	Max	Rated	A	3.0	4.7
Circuit Breaker	Max	Rated	A	3.7	4.5
	Max	Rated	A	3.7	4.5
Power Supply Cable	Max	Rated	A	3.7	4.5
	Max	Rated	A	3.7	4.5
Power & Transmission Cable	Max	Rated	A	3.7	4.5
	Max	Rated	A	3.7	4.5
Dimension	Max	Rated	A	3.7	4.5
	Max	Rated	A	3.7	4.5
Net Weight	Max	Rated	A	3.7	4.5
	Max	Rated	A	3.7	4.5
Fan Motor Output	Max	Rated	A	3.7	4.5
	Max	Rated	A	3.7	4.5
OUTDOOR		AM09BP.UA3		AM12BP.UA3	
Operation Range	Cooling	Min-Max	°CDB	-10-48	-10-48
	Heating	Min-Max	°CDB	-10-24	-10-24
Sound Pressure	Cooling	High	dB(A)	49	49
	Heating	High	dB(A)	50	50
Sound Power	Cooling	High	dB(A)	65	65
	Heating	High	dB(A)	65	65
Air Flow Rate	Cooling	High	m ³ /min	27	27
	Heating	High	m ³ /min	3	3
Piping	Length (Odu/Idu)	Max	m	15	15
	Elevation (Odu/Idu)	Max	m	7	7
Piping Connection	Liquid	OD(Outside)	mm	6.35	6.35
		OD(Outside)	inch	(1/4)	(1/4)
	Gas	OD(Outside)	mm	9.52	9.52
		OD(Outside)	inch	(3/8)	(3/8)
Refrigerant	Drain	OD(Outside)	mm	21.5	21.5
	Drain	OD(Outside)	inch	0.85	0.85
Type	Type	Charge at 7.5m	g	R410A	R410A
	Type	Charge at 7.5m	g	950	950
	Type	Charge at 7.5m	g/m	1.98	1.98
	Type	Charge at 7.5m	g/m	20	20
Additional charge	Additional charge	Charge at 7.5m	g/m	2087.5	2087.5
	Additional charge	Charge at 7.5m	g/m	43	43
Fan Motor Output	Compressor Type	Charge at 7.5m	W	1P Rotary	1P Rotary
	Compressor Type	Charge at 7.5m	W	29	29
Net Weight	Compressor Type	Charge at 7.5m	kg	29	29
	Compressor Type	Charge at 7.5m	kg	29	29
Dimension	Compressor Type	Charge at 7.5m	mm	717*483*230	717*483*230
	Compressor Type	Charge at 7.5m	mm	717*483*230	717*483*230

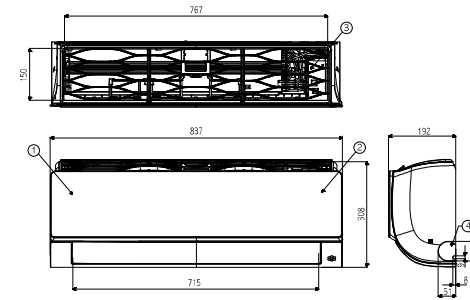
* This product contains Fluorinated greenhouse gases (R410A).

** S: Sleep / L: Low / M: Medium / H: High

*** Specification, design and feature are subject to change without prior notice.

**** Artcool: preliminary specification

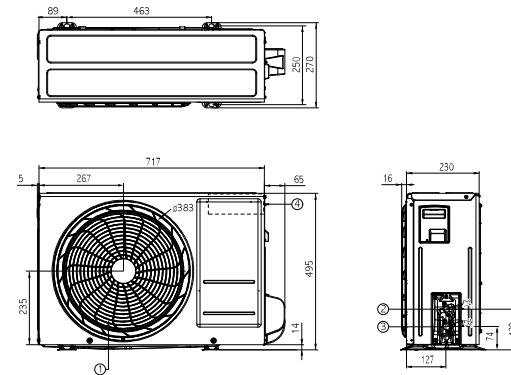
AM09BP.NSJ / AM12BP.NSJ



(Unit : mm)

Item No.	Part Name	Remark
1	Front Panel	
2	Display & Signal Receiver	
3	Air Filter	
4	Knockout hole	For pipe and cable

AM09BP.UA3 / AM12BP.UA3



(Unit : mm)

Item No.	Part Name
1	Air Discharge Grille
2	Gas Pipe Connection Part
3	Liquid Pipe Connection Part
4	Control Box

* This product contains Fluorinated greenhouse gases (R410A).

• Multi Combination

UNIT		7K		9K		12K	
INDOOR		AM07BP.NSJ		AM09BP.NSJ		AM12BP.NSJ	
Capacity	Cooling/Heating	Nom	kW	2.1 / 2.3	2.5 / 3.2	3.5 / 3.8	3.5 / 3.8
	Power Input	W x No.		30 x 1	30 x 1	30 x 1	30 x 1
Running Current	Cooling	Rated	A	0.2	0.2	0.2	0.2
	Heating	Rated	A	0.2	0.2	0.2	0.2
Power Supply	Max	Rated	A	3.0	4.7	6.0	6.0
	Max	Rated	A	3.0	4.7	6.0	6.0
Air Flow Rate	Cooling	High	m ³ /min	9.7 / 8.2 / 5.7	10.2 / 8.4 / 5.7	10.7 / 9.2 / 5.7	10.7 / 9.2 / 5.7
	Heating	High	m ³ /min	3.0	3.0	3.0	3.0
Sound Pressure Level	Cooling	High	dB(A)	35/32/27	36/33/27	40/35/27	40/35/27
	Heating	High	dB(A)	57	57	57	57
Sound Power Level	Cooling	High	dB(A)	57	57	57	57
	Heating	High	dB(A)	57	57	57	57
Dehumidification Rate	Cooling	Rated	l/h	0.9	1.1	1.2	1.2
	Running Current	Rated	A	3.0	4.7	6.0	6.0
Dimension	Max	Rated	mm	837*308*192	837*308*192	837*308*192	837*308*192
	Max	Rated	mm	837*308*192	837*308*192	837*308*192	837*308*192
Net weight	Max	Rated	kg	9.9	9.9	9.9	9.9
	Max	Rated	kg	9.9	9.9	9.9	9.9
Piping Connections	Liquid	mm(inch)		Ø 6.35 (1/4)	Ø 6.35 (1/4)	Ø 6.35 (1/4)	Ø 6.35 (1/4)
	Gas	mm(inch)		Ø 9.52 (3/8)	Ø 9.52 (3/8)	Ø 9.52 (3/8)	Ø 9.52 (3/8)

* Artcool: preliminary specification

ARTCOOL



* ARTCOOL models may contain preliminary data

LG participates in the ECP programme for EUROVENT AC program. Check ongoing validity of certification: www.eurovent-certification.com

• Single Combination

UNIT		18K	
INDOOR		AM18BP.NSK	
Capacity	Cooling	Min/Rated/Max	W
	Heating +7°C	Min/Rated/Max	W
Power Input	Heating -7°C	Rated	W
	Heating +7°C	Rated	W
EER	S.E.E.R.		W/W
	P design C		kW
COP	S.C.O.P.		W/W
	P design H		kW
Energy Label	Cooling		A++
	Heating		A+
Annual Energy Consumption	Cooling		kWh
	Heating		kWh
Sound Pressure	Cooling	Sleep	dBA
		Low	dBA
		Medium	dBA
	Heating	High	dBA
		Low	dBA
		Medium	dBA
Sound Power	Cooling	High	dBA
		Medium	dBA
		Low	dBA
	Air Flow Rate	Sleep	m ³ /min
		Low	m ³ /min
		Medium	m ³ /min
Dehumidification Rate	Cooling	High	m ³ /min
		Medium	m ³ /min
		Low	m ³ /min
	Running Current	Rated	A
		Max	A
		Starting Current	Rated
Power Supply	Cooling	Rated	A
	Heating	Rated	A
Circuit Breaker	Cooling	Rated	A
	Heating	Rated	A
Power & Transmission Cable	Cooling	Rated	A
	Heating	Rated	A
Dimension	Cooling	Rated	A
	Heating	Rated	A
Net Weight	Cooling	Rated	A
	Heating	Rated	A
Fan Motor Output	Cooling	Rated	A
	Heating	Rated	A

UNIT		18K	
OUTDOOR		AM18BP.UL2	
Operation Range	Cooling	Min-Max	°CDB
	Heating	Min-Max	°CDB
Sound Pressure	Cooling	High	dBA
	Heating	High	dBA
Sound Power	Cooling	High	dBA
	Heating	High	dBA
Air Flow Rate	Cooling	High	m ³ /min
	Piping	Length (Odu/Idu)	Min
Piping Connection	Elevation (Odu/Idu)	Max	m
	Liquid	OD(Outside)	mm
Refrigerant	Gas	OD(Outside)	mm
	Drain	OD(Outside)	mm
	Type	OD(Outside)	mm
	Charge at 7.5m		g
Fan Motor Output	Compressor Type		kg
	Net Weight		kg
Dimension	Dimension		mm

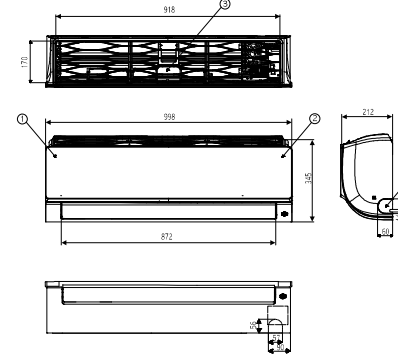
* This product contains Fluorinated greenhouse gases (R410A).

** S: Sleep / L: Low / M: Medium / H: High

*** Specification, design and feature are subject to change without prior notice.

**** Artcool: preliminary specification

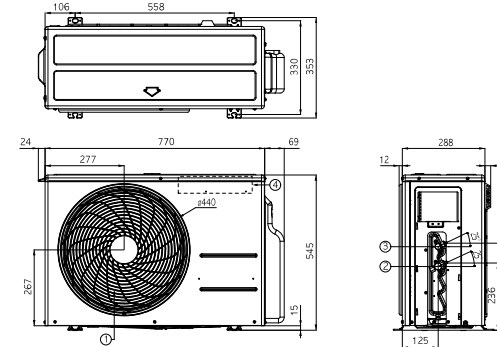
AM18BP.NSK



(Unit : mm)

Item No.	Part Name	Remark
1	Front Panel	
2	Display & Signal Receiver	
3	Air Suction Filter	
4	Installation Plate	

AM18BP.UL2



(Unit : mm)

Item No.	Part Name
1	Air Discharge Grille
2	Gas Pipe Connection Port
3	Liquid Pipe Connection Port
4	Control Box

* This product contains Fluorinated greenhouse gases (R410A).

• Multi Combination

UNIT		18K		24K	
INDOOR		AM18BP.NSK		AM24BP.NSK	
Capacity	Cooling/Heating	Nom	kW	5.0 / 5.8	6.5 / 7.5
Power Input			W x No.	60 x 1	60 x 1
Running Current			A	0.4	0.4
Power Supply			Ø / V / Hz	1 / 220-240 / 50	1 / 220-240 / 50
Air Flow Rate			H / M / L	14.2 / 11.3 / 9.9	15.2 / 12.7 / 10.2
Sound Pressure Level			dB(A)	44 / 38 / 35	46 / 41 / 36
Sound Power Level			dB(A)	59	65
Dehumidification Rate			l/h	1.9	2.6
Dimension			mm	998*345*212	998*345*212
Net weight			kg	13.2	13.2
Piping Connections	Liquid		mm(inch)	Ø 6.35 (1/4)	Ø 6.35 (1/4)
	Gas		mm(inch)	Ø 12.7 (1/2)	Ø 12.7 (1/2)

* Artcool: preliminary specification