

# NEW DELUXE



LG participates in the ECP programme for EUROVENT AC program. Check ongoing validity of certification: [www.eurovent-certification.com](http://www.eurovent-certification.com)



## • Single Combination

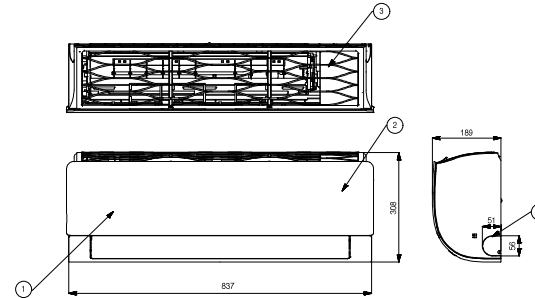
UNIT				9K	12K
INDOOR				DM09RP.NSJ	DM12RP.NSJ
Capacity	Cooling	Min/Rated/Max	W	890/2500/3700	890/3500/4040
	Heating +7°C	Min/Rated/Max	W	890/3200/5000	890/4000/6000
Power Input	Heating +7°C	Rated	W	3200	3800
	Heating +7°C	Rated	W	5565	8998
EER	Heating +7°C	Rated	W/W	712	975
	Heating +7°C	Rated	W/W	4.5	3.9
S.E.E.R.	Heating +7°C	Rated	W/W	7.7	7.6
	Heating +7°C	Rated	W/W	2.5	3.5
P design C	Heating +7°C	Rated	kW	4.5	4.1
	Heating +7°C	Rated	W/W	4.6	4.6
COP	Heating +7°C	Rated	W/W	2.8	2.9
	Heating +7°C	Rated	W/W	A++	A++
S.C.O.P.	Heating +7°C	Rated	kW	A++	A++
	Heating +7°C	Rated	kW	A++	A++
Annual Energy Consumption	Cooling	Rated	kWh	114	162
	Heating	Rated	kWh	853	883
Sound Pressure	Cooling	Sleep	dBA	19	19
		Low	dBA	24	24
		Medium	dBA	35	35
	Heating	High	dBA	40	40
		Low	dBA	24	24
		Medium	dBA	35	35
Sound Power	Cooling	High	dBA	40	40
		High	dBA	60	60
		Sleep	m³/min	3.5	3.5
	Heating	Low	m³/min	5.5	5.5
		Medium	m³/min	9.0	9.0
		High	m³/min	11.0	11.0
Air Flow Rate	Cooling	Max (Power)	m³/min	13.0	13.0
		Low	m³/min	6.5	6.5
		Medium	m³/min	9.0	9.0
	Heating	High	m³/min	11.0	11.0
		High	l/h	1.1	1.3
		Rated	A	2.5	4.0
Running Current	Max	A	6.0	6.0	
	Rated	A	3.2	4.3	
	Max	A	7.0	7.0	
Starting Current	Cooling	Rated	A	2.5	4.0
	Heating	Rated	A	3.2	4.3
	Heating	Rated	A	3.2	4.3
Power Supply	Ø / V / Hz		1 / 220-240 / 50	1 / 220-240 / 50	
Circuit Breaker	A		15	15	
Power Supply Cable	N x mm²		3*1.0	3*1.0	
Power & Transmission Cable	N x mm²		4*1.0 (Including Earth)	4*1.0 (Including Earth)	
Dimension	mm		837*308*189	837*308*189	
Net Weight	kg		8.3	8.3	
Fan Motor Output	W		30	30	
OUTDOOR				DM09R.PUL2	DM12R.PUL2
Operation Range	Cooling	Min-Max	°CDB	-15-48	-15-48
	Heating	Min-Max	°CDB	-15-24	-15-24
Sound Pressure	Cooling	High	dBA	47	47
	Heating	High	dBA	48	48
Sound Power	Cooling	High	dBA	65	65
	Heating	High	dBA	65	65
Air Flow Rate	Cooling	High	m³/min	35	35
	Heating	High	m³/min	3	3
Piping	Length (Odu/Idu)	Min	m	20	20
	Max	m	20	20	
Piping Connection	Elevation (Odu/Idu)	Max	m	10	10
	Liquid	OD(Outside)	mm	6.35	6.35
Refrigerant	Gas	OD(Outside)	mm	(1/4)	(1/4)
	Drain	OD(Outside)	mm	9.52	9.52
	Drain	OD(Outside)	inch	(3/8)	(3/8)
	Drain	OD(Outside)	mm	21.5	21.5
	Type	OD(Outside)	inch	0.85	0.85
	Charge at 7.5m	g		1,000	1,000
Additional charge	T-CO <sub>2</sub> eq	g/m	2.09	2.09	
	GWP	g/m	20	20	
Fan Motor Output	W		2087.5	2087.5	
Compressor Type	W		43	43	
Net Weight	kg		1P Rotary	1P Rotary	
Dimension	mm		30.5	30.5	
Dimension	mm		770*545*288	770*545*288	

\* This product contains Fluorinated greenhouse gases (R410A).

\*\* S: Sleep / L: Low / M: Medium / H: High

\*\*\* Specification, design and feature are subject to change without prior notice.

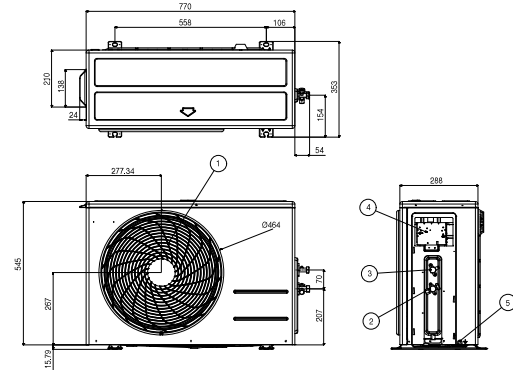
## DM09RP.NSJ / DM12RP.NSJ



(Unit : mm)

Item No.	Part Name	Remark
1	Front Panel	
2	Display & Signal Receiver	Hidden
3	Air Filter	
4	Knockout hole	For pipe and cable

## DM09RP.UL2 / DM12RP.UL2



(Unit : mm)

Item No.	Part Name
1	Air Discharge Grille
2	Gas Pipe Connection Port
3	Liquid Pipe Connection Port
4	Control Box
5	Earth Screw

\* This product contains Fluorinated greenhouse gases (R410A).

## • Multi Combination

UNIT				7K	9K	12K
INDOOR				DM07RP.NSJ	DM09RP.NSJ	DM12RP.NSJ
Capacity	Cooling/Heating	Nom	kW	2.1 / 2.3	2.5 / 3.2	3.5 / 4.0
	Power Input		W	30	30	30
Running Current			A	0.2	0.2	0.2
Power Supply			Ø / V / Hz	1 / 220-240 / 50	1 / 220-240 / 50	1 / 220-240 / 50
Air Flow Rate		H / M / L	m³/min	7.5 / 6.1 / 4.5	7.7 / 6.4 / 5.0	8.1 / 6.7 / 5.3
Sound Pressure Level		H / M / L	dB(A)	35 / 31 / 26	36 / 32 / 27	38 / 34 / 29
Sound Power Level		Cooling	dB(A)	56	56	56
Dehumidification Rate		l/h		0.9	1.1	1.2
Dimension			mm	837*308*189	837*308*189	837*308*189
Net weight			kg	8.3	8.3	8.3
Piping Connections	Liquid	mm(inch)		Ø 6.35 (1/4)	Ø 6.35 (1/4)	Ø 6.35 (1/4)
	Gas	mm(inch)		Ø 9.52 (3/8)	Ø 9.52 (3/8)	Ø 9.52 (3/8)

# NEW DELUXE



LG participates in the ECP programme for EUROVENT AC program. Check ongoing validity of certification: [www.eurovent-certification.com](http://www.eurovent-certification.com)



## • Single Combination

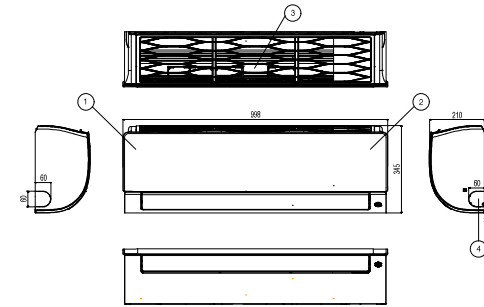
UNIT				18K	24K
INDOOR				DM18RP.NSK	DM24RP.NSK
Capacity	Cooling	Min/Rated/Max	W	900/5000/5525	900/6600/7420
	Heating +7°C	Min/Rated/Max	W	900/5800/6438	900/7500/8640
Power Input	Heating +7°C	Rated	W	3800	4850
	Cooling	Rated	W	1562	2275
EER	Heating +7°C	Rated	W/W	1,611	2,238
	S.E.E.R.		W/W	3,2	2,9
S.P.design C	Heating +7°C	Rated	W/W	7,0	6,5
	Cooling	Rated	W/W	5,0	6,6
COP	Heating +7°C	Rated	W/W	3,60	3,35
	S.C.O.P.		W/W	4,2	4,0
P.design H	Heating +7°C	Rated	W/W	4,1	5,0
	Energy Label			A++	A++
Annual Energy Consumption	Cooling	Rated	kWh	A+	A+
	Heating	Rated	kWh	250	356
Sound Pressure	Cooling	High	dBA	1367	1770
	Heating	High	dBA	31	31
Sound Power	Cooling	Sleep	dBA	34	34
		Low	dBA	34	34
		Medium	dBA	39	42
	Heating	High	dBA	44	47
		Low	dBA	34	34
		Medium	dBA	39	42
Air Flow Rate	Cooling	High	m <sup>3</sup> /min	44	47
		Medium	m <sup>3</sup> /min	60	65
		Low	m <sup>3</sup> /min	8,0	8,0
	Heating	High	m <sup>3</sup> /min	10,5	10,5
		Medium	m <sup>3</sup> /min	13,0	13,1
		Low	m <sup>3</sup> /min	16,1	16,1
Dehumidification Rate	Cooling	Max (Power)	m <sup>3</sup> /min	15,5	20,0
		High	m <sup>3</sup> /min	11,0	11,0
		Medium	m <sup>3</sup> /min	13,5	15,0
	Heating	High	m <sup>3</sup> /min	18,5	18,5
		Medium	m <sup>3</sup> /min	1,8	2,5
		Low	m <sup>3</sup> /min	1,8	2,5
Running Current	Cooling	Rated	A	6,9	10,1
	Heating	Rated	A	9	14,0
Starting Current	Cooling	Rated	A	7,1	10,4
	Heating	Rated	A	9,5	14,0
Power Supply	Cooling	Rated	A	6,9	10,1
Circuit Breaker	Heating	Rated	A	7,1	10,4
Power Supply Cable	Cooling	Rated	A	9,5	14,0
Power & Transmission Cable	Heating	Rated	A	6,9	10,1
Dimension	Heating	Rated	A	7,1	10,4
Net Weight	Heating	Rated	A	7,1	10,4
Fan Motor Output	Heating	Rated	A	7,1	10,4
OUTDOOR				DM18RP.U2	DM24RP.UUE
Operation Range	Cooling	Min-Max	°CDB	-15-48	-15-48
	Heating	Min-Max	°CDB	-10-24	-10-24
Sound Pressure	Cooling	High	dBA	53	56
	Heating	High	dBA	53	57
Sound Power	Cooling	High	dBA	65	70
	Heating	High	dBA	35	50
Air Flow Rate	Cooling	High	m <sup>3</sup> /min	35	50
	Heating	High	m <sup>3</sup> /min	-	-
Piping	Length (Odu/Idu)	Min	m	20	30
	Max	m	20	30	
Piping Connection	Elevation (Odu/Idu)	Max	m	10	15
	Liquid	OP(Outside)	mm	6,35	6,35
Refrigerant	Cooling	High	inch	(1/4)	(1/4)
	Heating	High	inch	12,7	15,88
	Gas	OP(Outside)	mm	12,7	15,88
	Drain	OP(Outside)	inch	(1/2)	(5/8)
	Additional charge	OP(Outside)	mm	21,5	21,5
	GWP	OP(Outside)	inch	0,85	0,85
Fan Motor Output	Type			R410A	R410A
	Charge at 7.5m			1250	1350
Compressor Type	T-CO <sub>2</sub> eq			2,61	2,82
	Additional charge			20	30
Net Weight	GWP			2087,5	2087,5
	W			43	85
Dimension	Compressor Type			Twin Rotary	Twin Rotary
	Net Weight			36,2	46,4
Dimension	W			770*545*288	870*655*320

\* This product contains Fluorinated greenhouse gases (R410A).

\*\* S: Sleep / L: Low / M: Medium / H: High

\*\*\* Specification, design and feature are subject to change without prior notice.

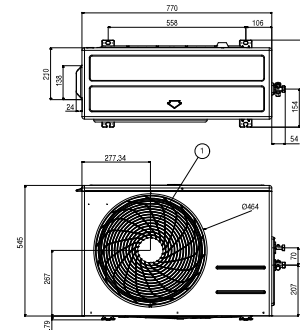
## DM18RP.NSK / DM24RP.NSK



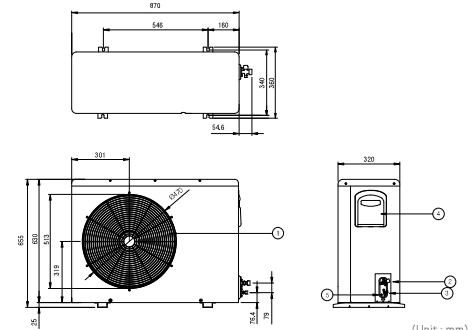
(Unit : mm)

Item No.	Part Name	Remark
1	Front Panel	
2	Display & Signal Receiver	Hidden
3	Air Filter	
4	Knockout hole	For pipe and cable

## DM18RP.U2



## DM24RP.UUE



\* This product contains Fluorinated greenhouse gases (R410A).

(Unit : mm)

Item No.	Part Name
1	Air Discharge Grille
2	Gas Pipe Connection Port
3	Liquid Pipe Connection Port
4	Control Box
5	Earth Screw

## • Multi Combination

UNIT				18K	24K
INDOOR				DM18RP.NSK	DM24RP.NSK
Capacity	Cooling/Heating	Nom	kW	5,0 / 5,8	6,6 / 7,5
	Power Input		W	60	60
Running Current			A	0,4	0,4
Power Supply			Ø / V / Hz	1 / 220-240 / 50	1 / 220-240 / 50
Air Flow Rate		H / M / L	m <sup>3</sup> /min	14,2 / 11,3 / 9,9	15,2 / 12,7 / 10,2
Sound Pressure Level		H / M / L	dB(A)	44 / 38 / 34	47 / 41 / 36
Sound Power Level		Cooling	dB(A)	60	64
Dehumidification Rate			l/h	1,9	2,6
Dimension			mm	998*345*210	998*345*210
Net weight			kg	12,0	12,0
Piping Connections	Liquid		mm(inch)	Ø 6,35 (1/4)	Ø 6,35 (1/4)
	Gas		mm(inch)	Ø 12,7 (1/2)	Ø 12,7 (1/2)