



Floor Standing Cabinet Type

Slim & compact design

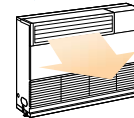
Under-window mounting does not block lighting.
Indoor unit size of 2.2 to 7.1 kW models is the same.

Air exits from front or top

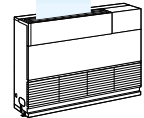
Distribution can be reversed to suit occupant preference.

MML-AP***4H1-E

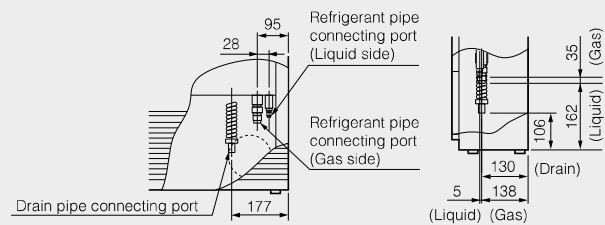
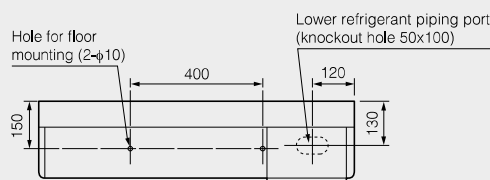
Air blown from front panel
(factory default)



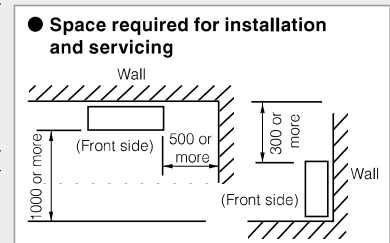
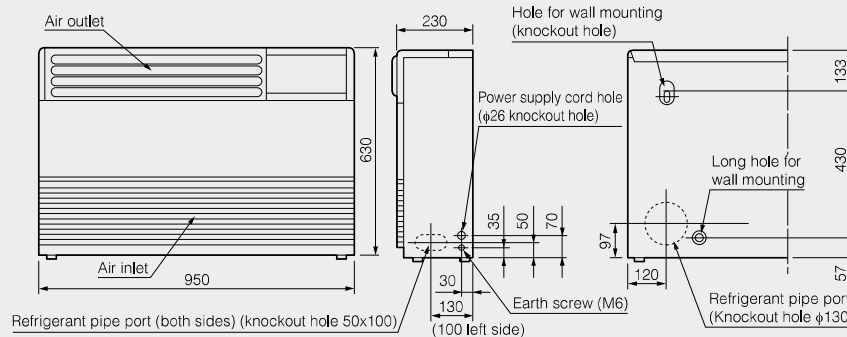
Air blown from top



MML-AP0074H1-E to AP0244H1-E



Piping positional drawing



Technical specifications

Model name	MML-	AP0074H1-E	AP0094H1-E	AP0124H1-E	AP0154H1-E	AP0184H1-E	AP0244H1-E
Cooling/Heating capacity*1	(kW)	2.2/2.5	2.8/3.2	3.6/4.0	4.5/5.0	5.6/6.3	7.1/8.0
Electrical characteristics	Power requirements	1-phase 50 Hz 230 V (220–240 V) (Separate power supply for indoor unit is required)/1-phase 60 Hz 220 V					
	Power consumption 50 Hz/60 Hz	(kW)		(kW)		(kW)	
External dimensions	Height	(mm)		(mm)		(mm)	
	Width	(mm)		(mm)		(mm)	
	Depth	(mm)		(mm)		(mm)	
Total weight	(kg)	37		37		40	
Fan unit	Standard air flow (High/Mid/Low)	(m ³ /h)		(m ³ /h)		(m ³ /h)	
	Motor output	(W)		(W)		(W)	
Connecting pipe	Gas side	(mm)		(mm)		(mm)	
	Liquid side	(mm)		(mm)		(mm)	
	Drain port	(nominal dia.)		(nominal dia.)		(nominal dia.)	
Sound pressure level*2 (High/Mid/Low)	(dB(A))	39/37/35		45/41/38		49/44/39	
Sound pressure level (High/Mid/Low)	(dB(A))	54/52/50		60/56/53		64/59/54	

Note 1 : The capacities are measured under the conditions specified by JIS B 8615 based on the reference piping.

The reference piping consists of 5 m of main piping and 2.5 m of branch piping connected with 0 m height.

Note 2 : The sound level are measured in an anechoic chamber in accordance with JIS B 8616.

Normally, the values measured in the actual operating environment become larger than the indicated values due to the effects of external sound.

Note : Rated conditions Cooling : Indoor air temperature 27°C DB/19°C WB, Outdoor air temperature 35°C DB.

Heating : Indoor air temperature 20°C DB, Outdoor air temperature 7°C DB/6°C WB.