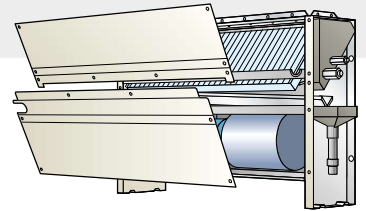




Floor Standing Concealed Type

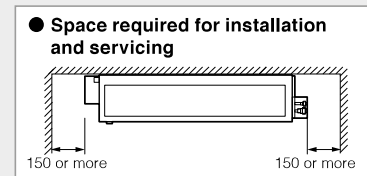
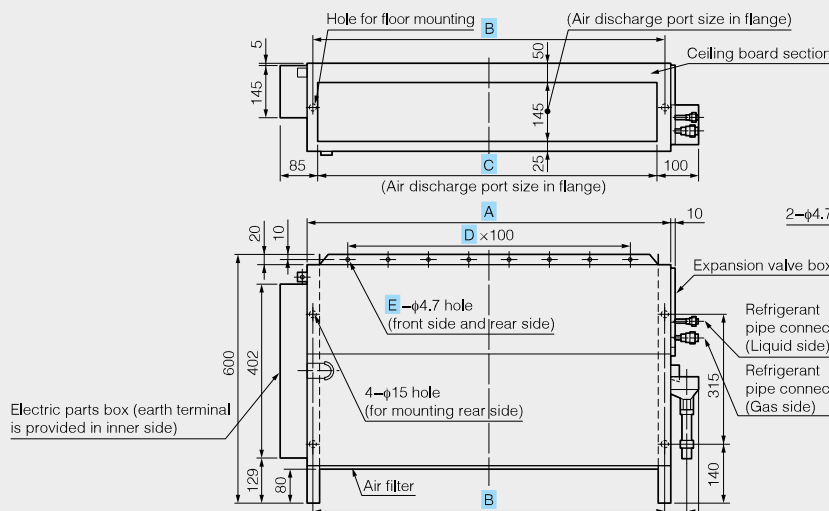
Cool air makes for a pleasant indoor environment
Install it under a window and air-condition any room effectively.

Easy maintenance
Simplified design of fan and drainage pipe eases maintenance.

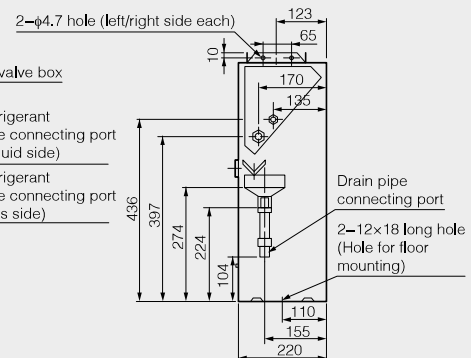


MML-AP*4BH1-E**

MML-AP0074BH1-E to AP0244BH1-E



Model	MML-	A	B	C	D	E
AP0074BH1-E to AP0124BH1-E		610	580	550	4	5
AP0154BH1-E to AP0244BH1-E		910	880	850	7	8



Technical specifications

Model name	MML-	AP0074BH1-E	AP0094BH1-E	AP0124BH1-E	AP0154BH1-E	AP0184BH1-E	AP0244BH1-E
Cooling/Heating capacity*1	(kW)	2.2/2.5	2.8/3.2	3.6/4.0	4.5/5.0	5.6/6.3	7.1/8.0
Electrical characteristics	Power requirements	1-phase 50 Hz 230 V (220–240 V)/1-phase 60 Hz 220 V (Separate power supply for indoor units required.)					
	Power consumption 50 Hz/60 Hz	(kW)	0.056/0.058		0.090/0.096		0.095/0.110
External dimensions	Height	(mm)	600		1045		
	Width	(mm)	745				
	Depth	(mm)	220				
Total weight	(kg)	21			29		
Fan unit	Standard air flow (High/Mid/Low)	(m ³ /h)	460/400/300		740/600/490		950/790/640
	Motor output	(W)	19		70		
Connecting pipe	Gas side	(mm)	ø9.5		ø12.7		ø15.9
	Liquid side	(mm)	ø6.4				
	Drain port	(nominal dia.)	20 (Polyvinyl chloride tube)				
Sound pressure level*2 (High/Mid/Low)	(dB(A))	36/34/32			42/37/33		
Sound power level (High/Mid/Low)	(dB(A))	54/52/50			60/55/51		

Note 1 : The capacities are measured under the conditions specified by JIS B 8615 based on the reference piping. The reference piping consists of 5 m of main piping and 2.5 m of branch piping connected with 0 m height.
 Note 2 : The sound level are measured in an anechoic chamber in accordance with JIS B 8616.
 Normally, the values measured in the actual operating environment become larger than the indicated values due to the effects of external sound.
 Note : Rated conditions Cooling : Indoor air temperature 27°C DB/19°C WB, Outdoor air temperature 35°C DB.
 Heating : Indoor air temperature 20°C DB, Outdoor air temperature 7°C DB/6°C WB.