



Remote controller

Console

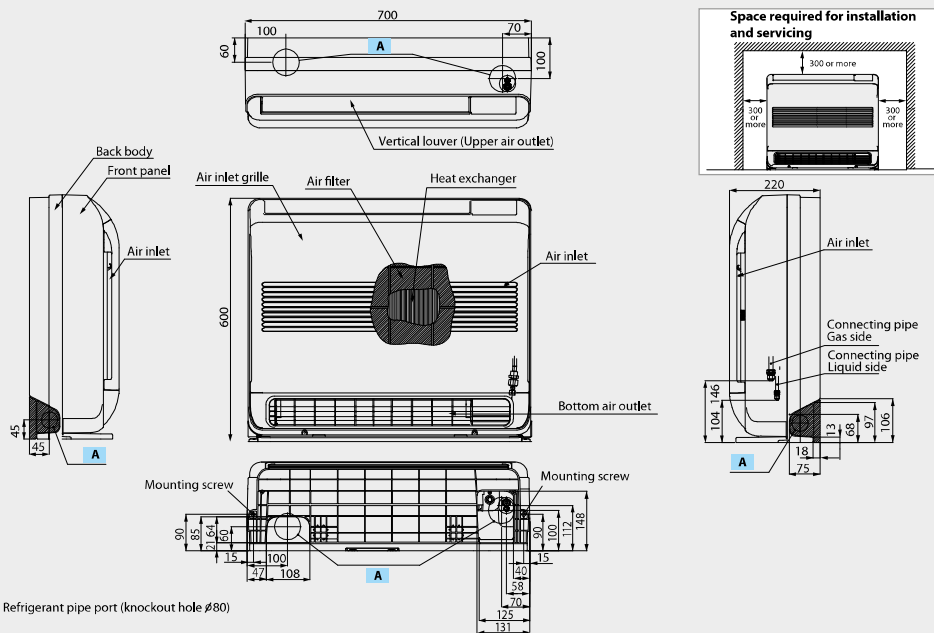
Elegant & simple design makes this unit a perfect fit for shops, office buildings, and luxury apartments.

Bottom flow functionality ensures comfortable air bi-flow for an advantage in heating and floor warming.

Multi-function operation is convenient, making adjustments by the user possible using the Wireless Remote Controller.

MML-AP*4NH1-E**

MML-AP0074NH1-E to AP0184NH1-E



Technical specifications

Model name	MML-	AP0074NH1-E	AP0094NH1-E	AP0124NH1-E	AP0154NH1-E	AP0184NH1-E	
Cooling/Heating capacity*1	(kW)	2.2/2.5	2.8/3.2	3.6/4.0	4.5/5.0	5.6/6.3	
Electrical characteristics	Power requirements	1-phase 50Hz 230V (220-240V)/1-phase 60Hz 220V (Separate power supply for indoor unit is required)					
	Power consumption 50 Hz/60 Hz	(kW)	0.021		0.025	0.034	0.052
External dimensions	Height	(mm)			600		
	Width	(mm)			700		
	Depth	(mm)			220		
Total weight	(kg)			17			
Fan unit	Standard air flow (High/Mid/Low)	(m ³ /h)	510/366/282		552/408/324	624/468/384	726/528/426
	Motor output	(W)			41		
	Gas side	(mm)		ø9.5			ø12.7
Connecting pipe	Liquid side	(mm)			ø6.4		
	Drain port	(nominal dia.)			16(Polypropylene tube)		
Sound pressure level*2 (High/Mid/Low)	(dB(A))		38/32/26		40/34/29	43/37/31	47/40/34
Sound power level (High/Low)	(dB(A))		53/41		55/44	58/46	62/55

Note 1 : The capacities are measured under the conditions specified by JIS B 8615 based on the reference piping.

The reference piping consists of 5 m of main piping and 2.5 m of branch piping connected with 0 m height.

Note 2 : The sound level are measured in an anechoic chamber in accordance with JIS B 8616.

Normally, the values measured in the actual operating environment become larger than the indicated values due to the effects of external sound.

Note : Rated conditions Cooling : Indoor air temperature 27°C DB/19°C WB, Outdoor air temperature 35°C DB.

Heating : Indoor air temperature 20°C DB, Outdoor air temperature 7°C DB/6°C WB.