



Remote controller

High-wall Type (4 series) European market only

Slim-line design

With its attractive, slim-line design, this unit is best suited for restaurants and other applications requiring understated elegance.

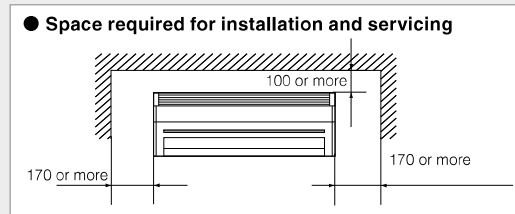
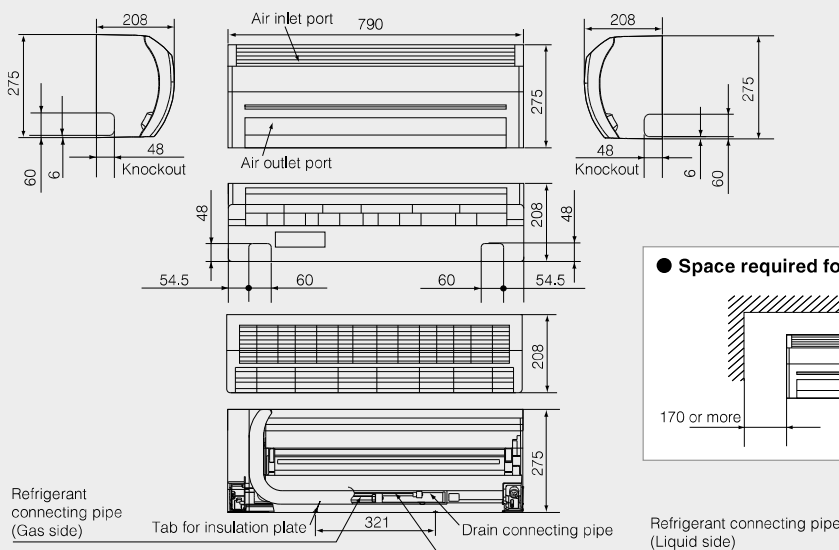
The filtration system further improves the indoor air quality benefits of this high-wall unit.

Auto-louver mode allows optimum air distribution throughout the room.

Wireless controller is included.

MMK-AP*4MH1-E**
MMK-AP*4MHP1-E**

MMK-AP0074MH1-E to AP0124MH1-E



(Unit: mm)

Technical specifications

Model name	MMK-	AP0054MHP1-E	AP0074MH1-E	AP0094MH1-E	AP0124MH1-E
Cooling/Heating capacity*1	(kW)	1.7/1.9	2.2/2.5	2.8/3.2	3.6/4.0
Electrical characteristics	Power requirements	1-phase 50 Hz 230 V (220–240 V) (Power exclusive for indoor is required.)			
	Power consumption 50 Hz (kW)	0.017		0.018	0.019
External dimensions	Height (mm)	275			
	Width (mm)	790			
	Depth (mm)	208			
Total weight	(kg)	11			
Fan unit	Standard air flow (High/Mid/Low) (m ³ /h)	445/400/360	480/420/360	510/450/360	540/450/360
	Motor output (W)	30			
Connecting pipe	Gas side (mm)	ø9.5			
	Liquid side (mm)	ø6.4			
	Drain port (nominal dia.)	16 (polyvinyl chloride tube)			
Sound pressure level*2 (High/Mid/Low) (dB(A))		33/31/29	35/32/29	36/33/29	37/33/29
Sound power level (High/Mid/Low) (dB(A))		48/46/44	50/47/44	51/48/44	52/48/44

Note 1 : The capacities are measured under the conditions specified by JIS B 8615 based on the reference piping.

The reference piping consists of 5 m of main piping and 2.5 m of branch piping connected with 0 m height.

Note 2 : The sound level are measured in an anechoic chamber in accordance with JIS B 8616.

Normally, the values measured in the actual operating environment become larger than the indicated values due to the effects of external sound.

Note : Rated conditions Cooling : Indoor air temperature 27°C DB/19°C WB, Outdoor air temperature 35°C DB.

Heating : Indoor air temperature 20°C DB, Outdoor air temperature 7°C DB/6°C WB.