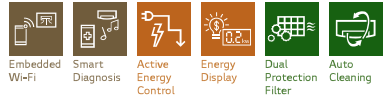


NEW STANDARD PLUS



LG participates in the ECP programme for EUROVENT AC program. Check ongoing validity of certification: www.eurovent-certification.com



• Single Combination

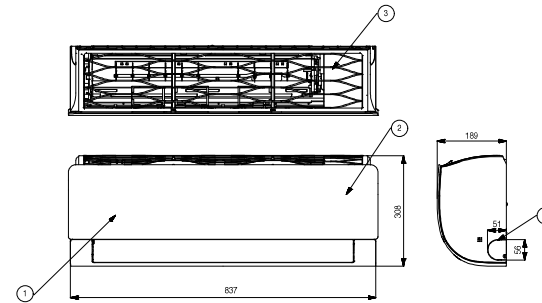
UNIT				9K	12K
INDOOR				PM09SP.NSJ	PM12SP.NSJ
Capacity	Cooling	Min/Rated/Max	W	890/2500/3700	890/3500/4040
	Heating +7°C	Min/Rated/Max	W	890/3200/4100	890/3900/5100
Power Input	Heating +7°C	Rated	W	300	350
	Heating +7°C	Rated	W	670	1080
EER	Heating +7°C	Rated	W/W	840	1000
	Heating +7°C	Rated	W/W	3.73	3.24
S.E.E.R.	Heating +7°C	Rated	W/W	6.5	6.4
	Heating +7°C	Rated	W/W	2.5	3.5
P.design C	Heating +7°C	Rated	kW	3.81	3.80
	Heating +7°C	Rated	kW	4.0	4.0
COP	Heating +7°C	Rated	kW	2.4	2.5
	Heating +7°C	Rated	kW	A++	A++
Annual Energy Consumption	Heating	Rated	kWh	A+	A+
	Heating	Rated	kWh	134	191
Sound Pressure	Heating	Rated	kWh	840	875
	Heating	Rated	kWh	19	19
Sleep	Heating	Rated	kWh	27	27
	Heating	Rated	kWh	35	35
Low	Heating	Rated	kWh	41	41
	Heating	Rated	kWh	27	27
Medium	Heating	Rated	kWh	35	35
	Heating	Rated	kWh	41	41
High	Heating	Rated	kWh	59	59
	Heating	Rated	kWh	3.0	3.0
Air Flow Rate	Heating	Rated	kWh	4.2	4.2
	Heating	Rated	kWh	7.5	7.5
High	Heating	Rated	kWh	10.0	10.0
	Heating	Rated	kWh	11.5	12.5
Max (Power)	Heating	Rated	kWh	5.6	5.6
	Heating	Rated	kWh	7.2	7.2
Medium	Heating	Rated	kWh	10.0	10.0
	Heating	Rated	kWh	1.1	1.3
Running Current	Heating	Rated	kWh	4.7	4.7
	Heating	Rated	kWh	6.0	6.0
Max	Heating	Rated	kWh	3.7	4.5
	Heating	Rated	kWh	7.0	7.0
Starting Current	Heating	Rated	kWh	3.0	4.7
	Heating	Rated	kWh	3.7	4.5
Power Supply	Heating	Rated	kWh	1 / 220-240 / 50	1 / 220-240 / 50
Circuit Breaker	Heating	Rated	kWh	15	15
Power Supply Cable	Heating	Rated	kWh	3*1.0	3*1.0
Power & Transmission Cable	Heating	Rated	kWh	4*1.0 (Including Earth)	4*1.0 (Including Earth)
Dimension	Heating	Rated	kWh	837*308*189	837*308*189
Net Weight	Heating	Rated	kWh	8.7	8.7
Fan Motor Output	Heating	Rated	kWh	30	30
OUTDOOR				PM09SP.UA3	PM12SP.UA3
Operation Range	Cooling	Min-Max	°CDB	-10-48	-10-48
	Heating	Min-Max	°CDB	-10-24	-10-24
Sound Pressure	Cooling	High	dB(A)	49	49
	Heating	High	dB(A)	50	50
Sound Power	Cooling	High	dB(A)	65	65
	Heating	High	dB(A)	27	27
Air Flow Rate	Cooling	High	m ³ /min	3	3
	Heating	High	m ³ /min	1.5	1.5
Piping	Length (Odu/Idu)	Min	m	3	3
	Max	m	15	15	
Piping Connection	Elevation (Odu/Idu)	Max	m	7	7
	Liquid	OD(Outside)	mm	6.35	6.35
Gas	OD(Outside)	mm	(1/4)	(1/4)	
	OD(Outside)	mm	9.52	9.52	
Drain	OD(Outside)	mm	21.5	21.5	
	OD(Outside)	mm	0.85	0.85	
Refrigerant	Type	OD(Outside)	mm	R410A	R410A
	Charge at 7.5m	OD(Outside)	mm	950	950
Additional charge	T-CO ₂ eq	g	1.98	1.98	
	GWP	g/m	20	20	
Fan Motor Output	Compressor Type	W	2087.5	2087.5	
	Compressor Type	W	43	43	
Net Weight	Compressor Type	W	1P Rotary	1P Rotary	
	Compressor Type	W	28.4	28.4	
Dimension	Compressor Type	W	717*463*230	717*463*230	

* This product contains Fluorinated greenhouse gases (R410A).

** S: Sleep / L: Low / M: Medium / H: High

*** Specification, design and feature are subject to change without prior notice.

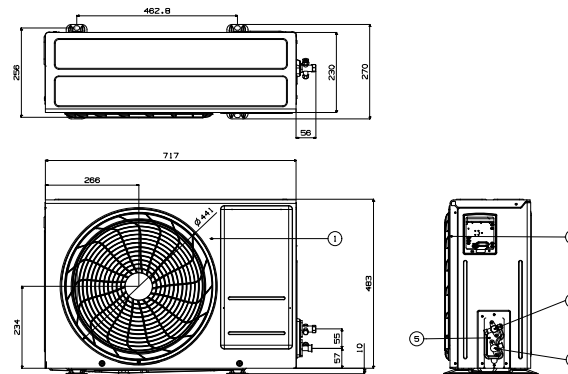
PM09SP.NSJ / PM12SP.NSJ



(Unit : mm)

Item No.	Part Name	Remark
1	Front Panel	
2	Display & Signal Receiver	
3	Air Filter	
4	Knockout hole	For pipe and cable

PM09SP.UA3 / PM12SP.UA3



(Unit : mm)

Item No.	Part Name
1	Air Discharge Grille
2	Gas Pipe Connection Port
3	Liquid Pipe Connection Port
4	Power & Transmission connection
5	Earth Screw

* This product contains Fluorinated greenhouse gases (R410A).

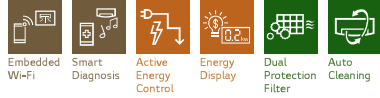
• Multi Combination

UNIT				5K	7K	9K	12K	15K
INDOOR				PM05SP.NSJ	PM07SP.NSJ	PM09SP.NSJ	PM12SP.NSJ	PM15SP.NSJ
Capacity	Cooling/Heating	Nom	kW	1.5 / 1.5	2.1 / 2.3	2.5 / 3.2	3.5 / 3.8	4.2 / 5.4
	Running Current		A	0.1	0.1	0.2	0.2	0.2
Power Input	Running Current		A	0.1	0.1	0.2	0.2	0.2
	Power Supply		Ø / V / Hz	1 / 220-240 / 50	1 / 220-240 / 50	1 / 220-240 / 50	1 / 220-240 / 50	1 / 220-240 / 50
Air Flow Rate	Running Current		m ³ /min	8.3 / 6.7 / 5.7	9.7 / 8.2 / 5.7	10.2 / 8.4 / 5.7	10.7 / 9.2 / 5.7	11.2 / 10.1 / 6.1
	Sound Pressure Level		dB(A)	34 / 31 / 27	35 / 32 / 27	36 / 33 / 27	40 / 35 / 27	41 / 36 / 29
Sound Power Level	Running Current		dB(A)	57	57	57	57	57
	Dehumidification Rate		l/h	0.9	0.9	1.1	1.2	1.2
Dimension	Running Current		mm	837*308*189	837*308*189	837*308*189	837*308*189	837*308*189
	Net weight		kg	8.7	8.7	8.7	8.7	8.7
Piping Connections	Running Current		mm(inch)	Ø 6.35 (1/4)	Ø 6.35 (1/4)	Ø 6.35 (1/4)	Ø 6.35 (1/4)	Ø 6.35 (1/4)
	Net weight		mm(inch)	Ø 9.52 (3/8)	Ø 9.52 (3/8)	Ø 9.52 (3/8)	Ø 9.52 (3/8)	Ø 9.52 (3/8)

NEW STANDARD PLUS



LG participates in the ECP programme for EUROVENT AC program. Check ongoing validity of certification: www.eurovent-certification.com

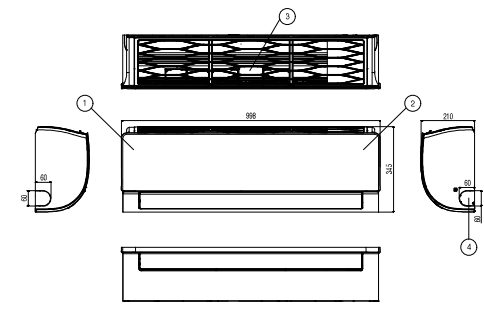


• Single Combination

	UNIT		18K	24K
	INDOOR		PM18SP.NSK	PM24SP.NSK
Capacity	Cooling	Min/Rated/Max	900/5000/5525	900/6600/7420
	Heating +7°C	Min/Rated/Max	900/5800/6438	900/7500/8640
Power Input	Heating +7°C	Rated	380	4850
	Cooling	Rated	1587	2275
EER	Heating +7°C	Rated	1611	2308
	Cooling	Rated	3.15	2.90
S.E.E.R.			6.5	6.2
P design C			5.0	6.6
COP			3.60	3.25
S.C.O.P.			4.0	3.9
P design H			3.9	5.0
Energy Label			A++	A++
Annual Energy Consumption	Cooling	kWh	269	372
	Heating	kWh	1365	1794
Sound Pressure	Cooling	Sleep	dBA	31
		Low	dBA	34
		Medium	dBA	39
	Heating	High	dBA	47
		Low	dBA	34
		Medium	dBA	39
Sound Power	Cooling	High	dBA	44
		High	dBA	60
		Sleep	dBA	18.0
	Heating	Low	m³/min	10.5
		Medium	m³/min	13.0
		High	m³/min	16.1
Air Flow Rate	Cooling	Max (Power)	m³/min	15.5
		Low	m³/min	11.0
		Medium	m³/min	13.5
	Heating	High	m³/min	18.5
		High	l/h	1.8
		Rated	A	6.9
Running Current	Heating	Rated	A	9.0
	Max	A	7.1	
Starting Current	Heating	Rated	A	9.5
	Max	A	6.9	
Power Supply			1 / 220-240 / 50	1 / 220-240 / 50
Circuit Breaker			A	25
Power Supply Cable			N x mm²	3 x 1.5
Power & Transmission Cable			N x mm²	3 x 2.5
Dimension			4 x 1.0 (Including Earth)	4 x 1.0 (Including Earth)
Net Weight			998*345*210	998*345*210
Fan Motor Output			12.0	12.8
			30	60
OUTDOOR		PM18SP.U2	PM24SP.UUE	
Operation Range	Cooling	Min-Max	-15-48	-15-48
	Heating	Min-Max	-10-24	-10-24
Sound Pressure	Cooling	High	dBA	53
	Heating	High	dBA	56
Sound Power	Cooling	High	dBA	65
	Heating	High	dBA	70
Air Flow Rate	Cooling	High	m³/min	35
	Heating	High	m³/min	3
Piping	Length (Odu/Idu)	Min	m	20
	Max	m	30	
Piping Connection	Elevation (Odu/Idu)	Max	m	10
	Liquid	OP(Outside)	mm	6.35
Refrigerant	Gas	OP(Outside)	inch	(1/4)
	Drain	OP(Outside)	mm	12.7
		OP(Outside)	mm	15.88
		OP(Outside)	inch	(1/2)
		OP(Outside)	mm	21.5
		OP(Outside)	inch	0.85
Fan Motor Output	Type		R410A	R410A
	Charge at 7.5m		1200	1350
	T-CO_eq		2.51	2.82
	Additional charge		20	30
Compressor Type	GWP		2087.5	2087.5
	W		43	85
Net Weight	W x H x D		770*445*288	870*455*320
	mm			

* This product contains Fluorinated greenhouse gases (R410A).
 ** S: Sleep / L: Low / M: Medium / H: High
 *** Specification, design and feature are subject to change without prior notice.

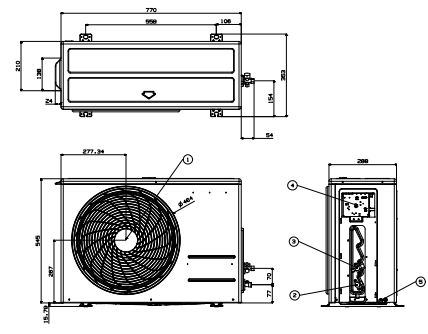
PM18SP.NSK / PM24SP.NSK



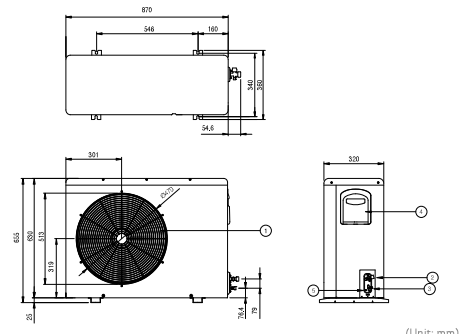
(Unit: mm)

Item No.	Part Name	Remark
1	Front Panel	
2	Display & Signal Receiver	
3	Air Suction Filter	
4	Installation Plate	

PM18SP.U2



PM24SP.UUE



(Unit: mm)

Item No.	Part Name
1	Air Discharge Grille
2	Gas Pipe Connection Port
3	Liquid Pipe Connection Port
4	Control Box
5	Earth Screw

• Multi Combination

	UNIT		18K	24K	
	INDOOR		PM18SP.NSK	PM24SP.NSK	
Capacity	Cooling/Heating	Nom	kW	5.0 / 5.8	6.6 / 7.5
Power Input			W x No.	60	60
Running Current			A	0.3	0.3
Power Supply			Ø / V / Hz	1 / 220-240 / 50	1 / 220-240 / 50
Air Flow Rate			m³/min	14.2 / 11.3 / 9.9	15.2 / 12.7 / 10.2
Sound Pressure Level			H / M / L	44 / 38 / 35	46 / 41 / 36
Sound Power Level			Cooling	dB(A)	59
Dehumidification Rate			l/h	1.9	2.6
Dimension			mm	998*345*210	998*345*210
Net weight			kg	12.0	12.8
Piping Connections	Liquid		mm(inch)	Ø 6.35 (1/4)	Ø 6.35 (1/4)
	Gas		mm(inch)	Ø 12.7 (1/2)	Ø 12.7 (1/2)